



Part No.

HRF

Flasher

Features:

- ⇒ Size :30×30×30.0(mm) , 30×30×40.0(mm)
- ⇒ High performance contacts
- ⇒ Steering light of the automobile
- ⇒ Hazard warning flash lamp contro



Odering Information

HRF1 DC12V B X
 ① ② ③ ④

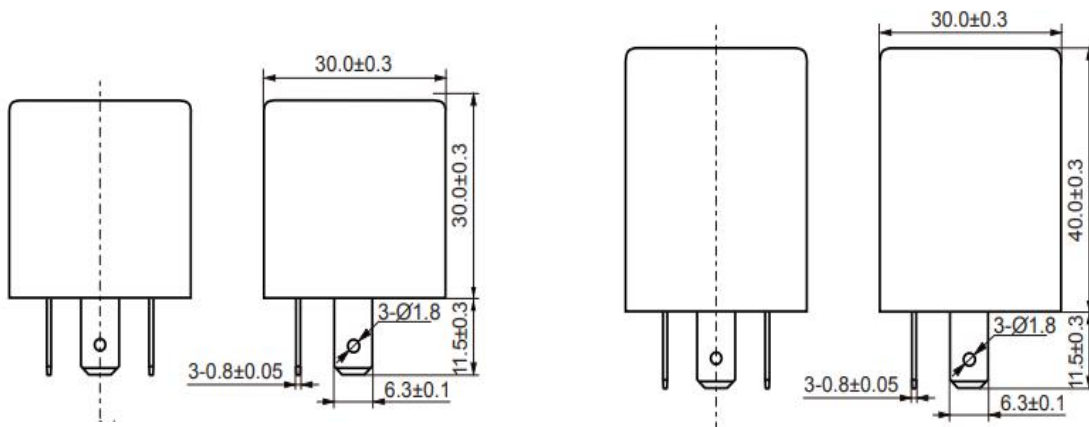
- ① Part No. HRF2: High cover
 HRF1: Low cover
- ② Coil Voltage :
 DC 12 DC24V
- ③ Nil : without bracket
B: with bracket
- ④ X : Special requirment

Specification:

Characteristics

Operate Voltage		Vibration resistance	
12V	: 9VDC~16VDC	10Hz~200Hz, 49m/s ²	
24V	: 18VDC~32VDC	Shock Resistace	
Flash Frequebcy		196m/s ²	
(60~110) ops/min		Ambient Temperature	
Electrical Life		-40 °C to 85°C	
1*10 ⁵		Weigt	
		Approx. 30g	

Dimension(mm)



HRF2

HRF1

