

HRA2

AUTOMOTIVE RELAYS



17.5×15.0×19.5(mm)

特征

六种不同的触点形式

开放式与密封型可供选择

Features

Miniature PC board relay

Six different contact arrangements

Unenclosed and wash tight type available

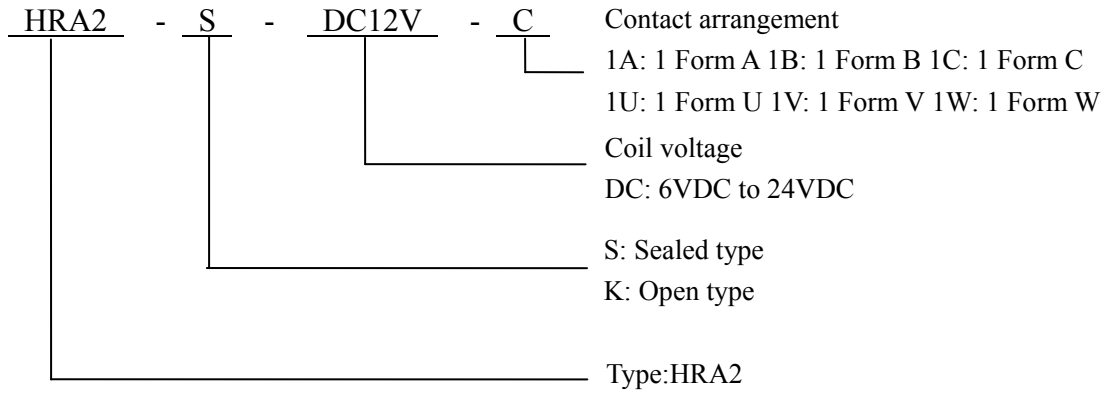
触点参数 Contact Ratings	
接触形式 Contact Form	1A 1B 1C 1U 1V 1W
触点材料 Contact Material	AgCdO
接触电阻 Contact Resistance	100mΩ (0.1A 6VDC)
触点负载(阻性) Contact Load (resistive load)	15A 14VDC(1A 1C) 2×10A 14VDC(1U 1W)
最大切换电压 Max.Switching Voltage	75VDC
最大额定切换电流(阻性) Max.Rated Switching Current (Resistive Load)	20A
最大切换功率 Max.Switching Power	280W
机械耐久性 min Mechanical Endurance min	1×10 ⁷ ops
电耐久性 min Electrical Endurance min	1×10 ⁵ ops

线圈参数 Coil Rating				20℃
额定线圈功率 Rated Coil Power		1100mW		
额定电压 Rated Voltage	动作电压 Operate Voltage	释放电压 Release Voltage	最大电压 Max. Voltage	线圈电阻 Coil Resistance
3VDC	2.25VDC	0.3VDC	6.5VDC	8.2× (1±10%) Ω
5VDC	3.75VDC	0.5VDC	6.5VDC	22.7× (1±10%) Ω
6VDC	4.50VDC	0.6VDC	7.8VDC	32.7× (1±10%) Ω
9VDC	6.75VDC	0.9VDC	11.7VDC	73.6× (1±10%) Ω
12VDC	9.00VDC	1.2VDC	15.6VDC	130.9× (1±10%) Ω
24V DC	18.0VDC	2.4VDC	31.2VDC	523.6× (1±10%) Ω

性能参数 Specifications	
绝缘电阻 Insulation Resistance	100MΩ(500VDC)
介质耐压 (触点与线圈间) Dielectric Strength (Between coils and contacts)	500VAC 1min
动作时间 (额定电压下) Operate Time (Below Rated Voltage)	≤10ms
释放时间 (额定电压下) Release Time (Below Rated Voltage)	≤10ms
振动 Vibration Resistance	20Hz~200Hz Amplitude 1.5mm
环境温度 Ambient Temperature	-40 ℃ to 85℃
重量 Weight	About 12g
引出端方式 Terminal Type	PCB

备注：以上值均为初始值。Note: the above values are the initial value.

订货标记示例 **Ordering Code**



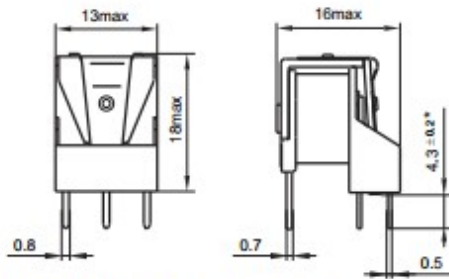
OUTLINE DIMENSIONS, WIRING DIAGRAM AND PC BOARD LAYOUT

Unit: mm

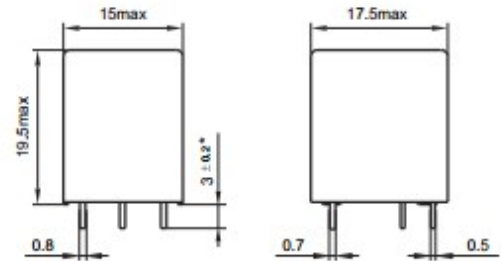
HRA2

Outline Dimensions

Unenclosed



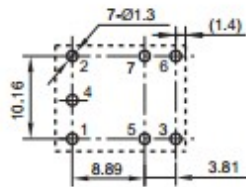
Plastic sealed



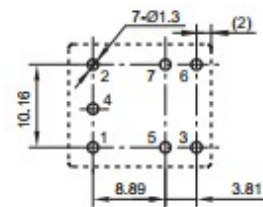
Remark: * The additional tin top is max. 1mm.

PCB Layout (Bottom view)

Unenclosed



Plastic sealed



Remark: The tolerance without indicating for PCB layout is always ±0.1mm.

Wiring Diagram (Bottom view)

