

HRA3

AUTOMOTIVE RELAYS



24.0×19.0×18.5(mm)

特征

40A 触点切换能力

印制板引出脚，两种孔位选择

开放式与密封型可供选择

Features

40A switching capability ,PCB terminals

Two pin layout choices

1 Form A and 1 Form C contact arrangement

Unenclosed and wash tight type available

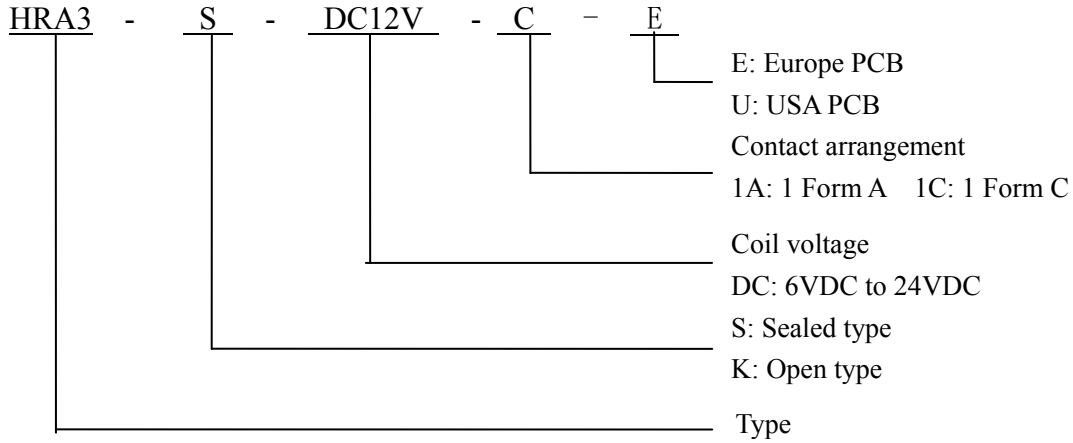
触点参数 Contact Ratings	
接触形式 Contact Form	1A 1C
触点材料 Contact Material	AgCdO
接触电阻 Contact Resistance	100mΩ (0.1A 6VDC)
触点负载(阻性) Contact Load (resistive load)	1C 40A/13.5VDC
最大切换电压 Max.Switching Voltage	75VDC
最大额定切换电流(阻性) Max.Rated Switching Current (Resistive Load)	40A
机械耐久性 min Mechanical Endurance min	1×10 ⁷ ops
电耐久性 min Electrical Endurance min	1×10 ⁵ ops

线圈参数 Coil Rating			
额定线圈功率 Rated Coil Power		1600mW	
额定电压 Rated Voltage	动作电压 Operate Voltage	释放电压 Release Voltage	线圈电阻 Coil Resistance
6VDC	3.60VDC	0.6VDC	23× (1±10%) Ω
9VDC	5.40VDC	0.9VDC	51× (1±10%) Ω
12VDC	7.80VDC	1.2VDC	90× (1±10%) Ω
24V DC	14.4VDC	2.4VDC	360× (1±10%) Ω

性能参数 Specifications	
绝缘电阻 Insulation Resistance	100MΩ(500VDC)
介质耐压 (触点与线圈间) Dielectric Strength (Between coils and contacts)	500VAC 1min
动作时间 (额定电压下) Operate Time (Below Rated Voltage)	≤10ms
释放时间 (额定电压下) Release Time (Below Rated Voltage)	≤10ms
振动 Vibration Resistance	10Hz~50Hz Amplitude 1.5mm
环境温度 Ambient Temperature	-40 °C to 85°C
重量 Weight	About 30g
引出端方式 Terminal Type	PCB

备注：以上值均为初始值。 Note: the above values are the initial value.

订货标记示例 **Ordering Code**



OUTLINE DIMENSIONS, WIRING DIAGRAM AND PC BOARD LAYOUT

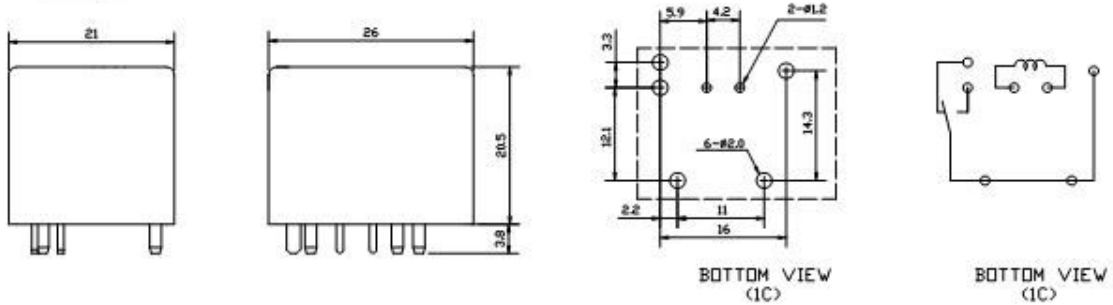
Unit: mm

Outline Dimensions

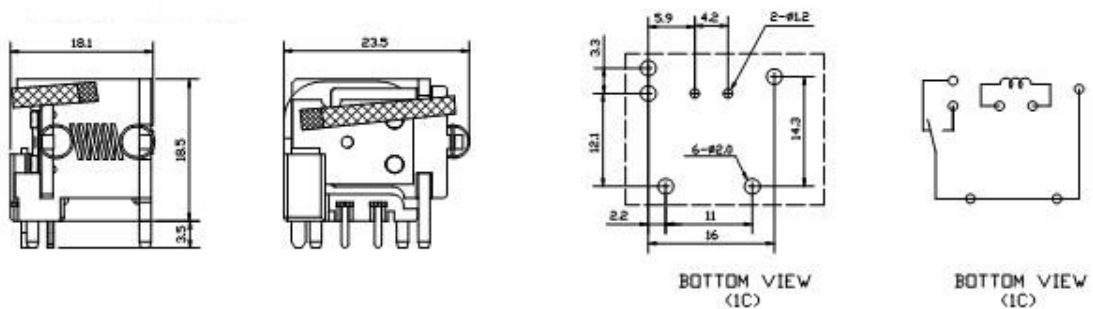
Layout

Writing Diagram

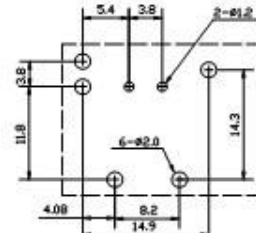
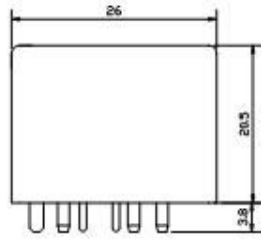
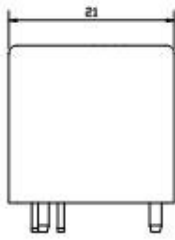
HRA3-C-E



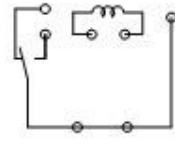
HRA3-K-C-E



HRA3-C-U

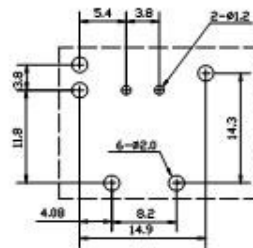
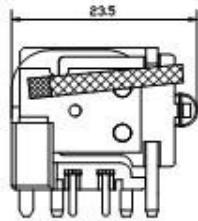
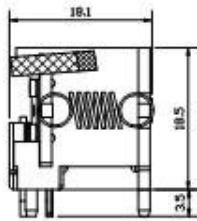


BOTTOM VIEW
(IC)

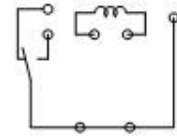


BOTTOM VIEW
(IC)

HRA3-K-C-U



BOTTOM VIEW
(IC)



BOTTOM VIEW
(IC)