

HRA4

AUTOMOTIVE RELAYS



28.0×28.0×25.4(mm)

特征

40A 触点切换能力

一组常开和转换

封闭型和防尘罩型可供选择

Features

40A switching capability

Various mounting terminals available

1 Form A and 1 Form C contact arrangement

Wash tight and dust protect types available

触点参数 Contact Ratings

接触形式 Contact Form	1A 1C
触点材料 Contact Material	AgSnO ₂
接触电阻 Contact Resistance	100mΩ (0.1A 6VDC)
触点负载(阻性) Contact Load (resistive load)	30A 240VAC/24VDC
最大切换电压 Max.Switching Voltage	70VDC
最大额定切换电流(阻性) Max.Rated Switching Current (Resistive Load)	40A
机械耐久性 min Mechanical Endurance min	1×10 ⁷ ops
电耐久性 min Electrical Endurance min	1×10 ⁵ ops

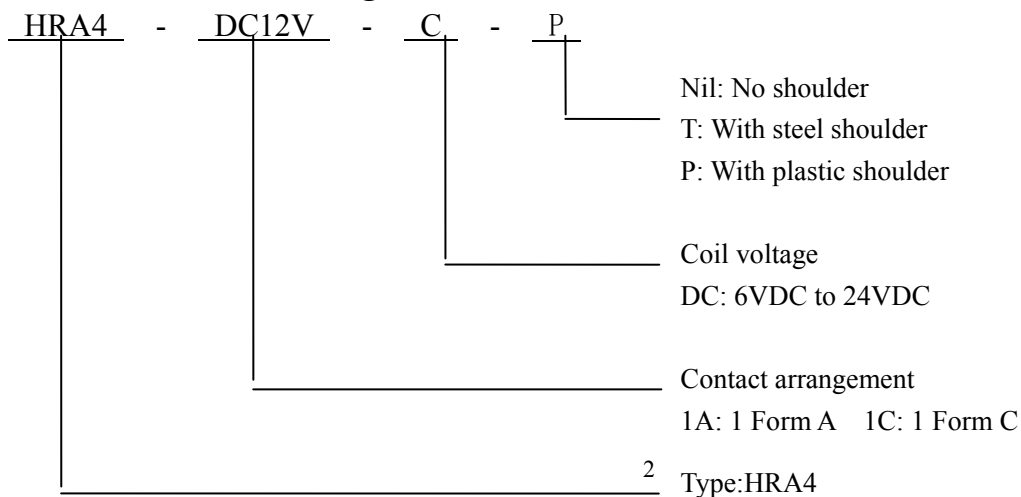


线圈参数 Coil Rating			
额定线圈功率 Rated Coil Power		1600mW	
额定电压 Rated Voltage	动作电压 Operate Voltage	释放电压 Release Voltage	线圈电阻 Coil Resistance
6VDC	4.2VDC	0.6VDC	22× (1±10%) Ω
12VDC	8.4VDC	1.2VDC	85× (1±10%) Ω
24V DC	16.8VDC	2.4VDC	350× (1±10%) Ω

性能参数 Specifications	
绝缘电阻 Insulation Resistance	100MΩ(500VDC)
介质耐压 (触点与线圈间) Dielectric Strength (Between coils and contacts)	750VAC 1min
动作时间 (额定电压下) Operate Time (Below Rated Voltage)	≤10ms
释放时间 (额定电压下) Release Time (Below Rated Voltage)	≤10ms
振动 Vibration Resistance	10Hz~50Hz Amplitude 1.5mm
环境温度 Ambient Temperature	-40 °C to 85°C
重量 Weight	About 38g
引出端方式 Terminal Type	PCB QC

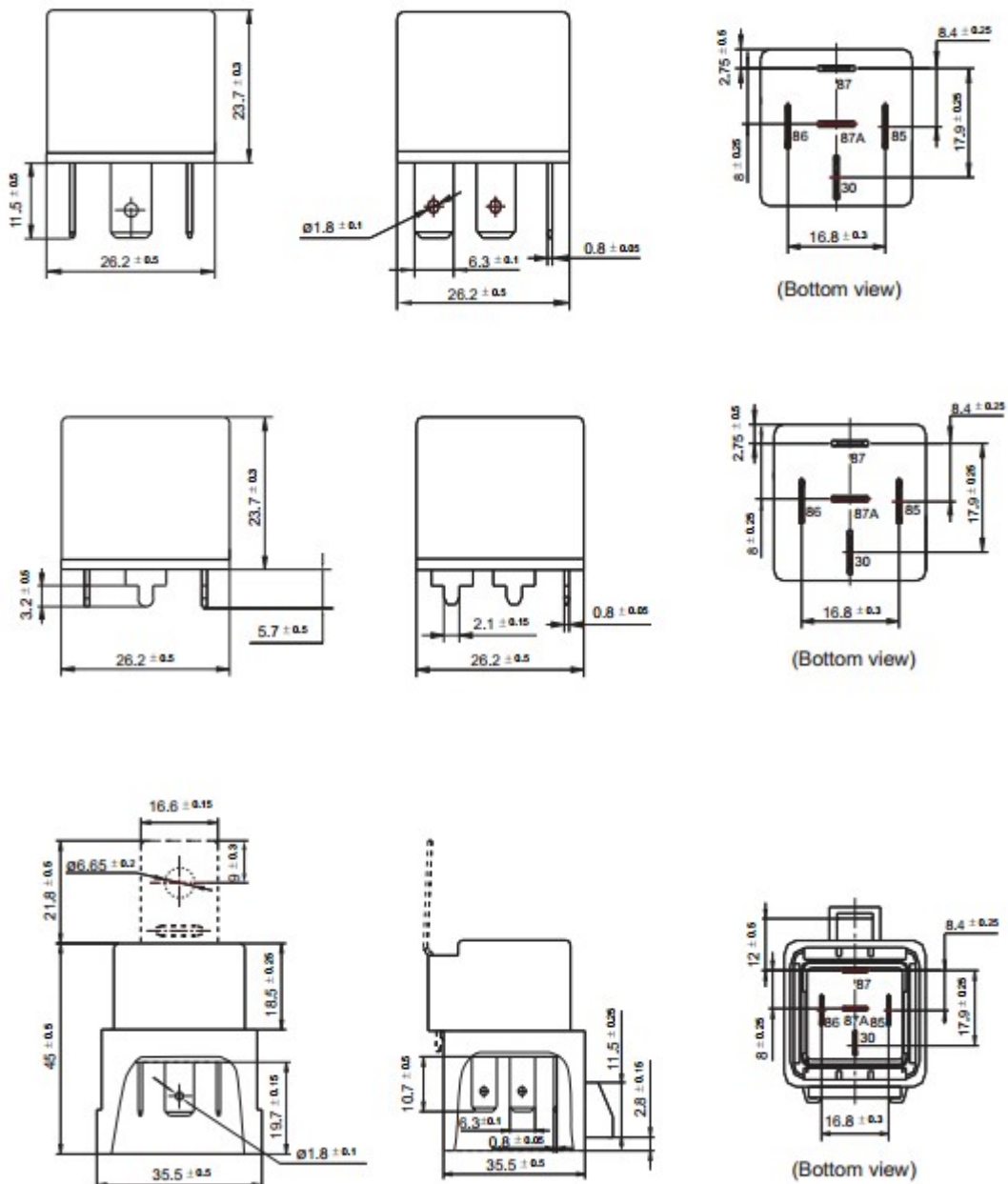
备注：以上值均为初始值。 Note: the above values are the initial value.

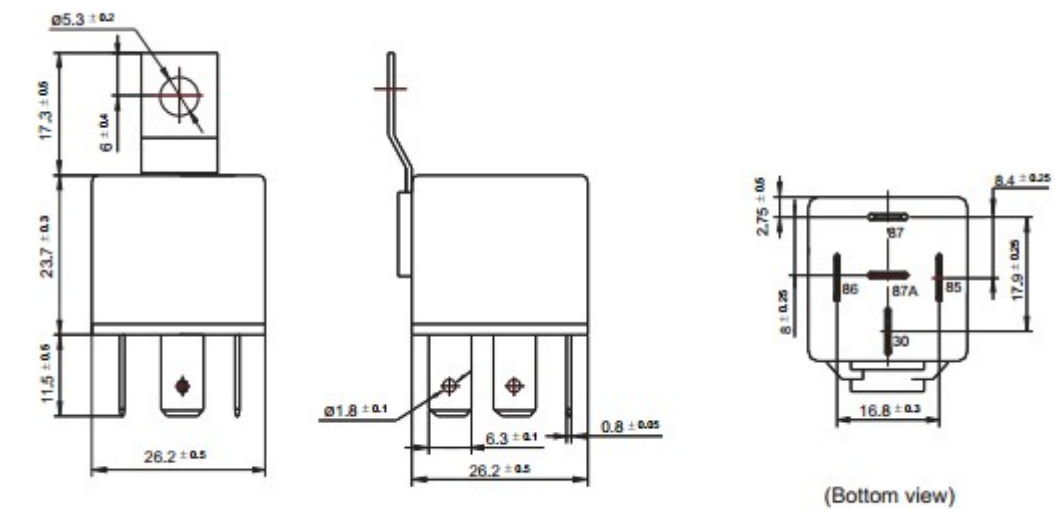
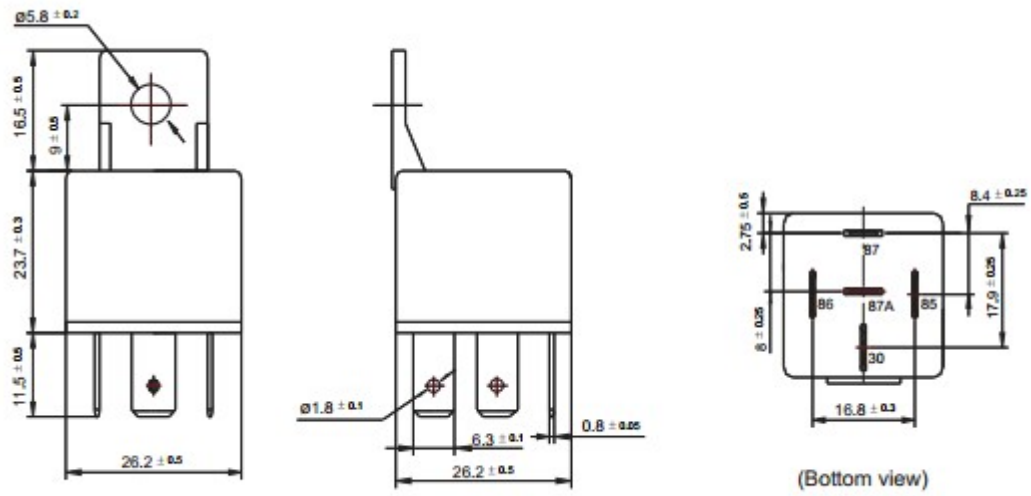
订货标记示例 Ordering Code



HRA4-1C

Outline Dimensions





Remark: Terminal vertical deviation tolerance is 0.3mm.

Writing Diagram

