
**特征**

30A 触点切换能力

一组常开和转换

密封型和防尘罩型

**Features**

30A switching capability, PCB terminals

1 Form A and 1Form C contact arrangement

Unenclosed and wash tight types available

**23.0×15.5×25.4(mm)**

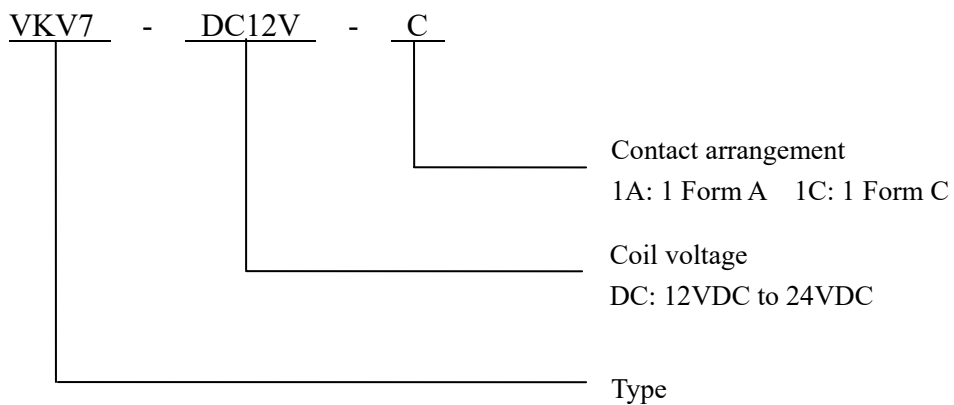
<b>触点参数 Contact Ratings</b>	
接触形式 Contact Form	1A 1C
触点材料 Contact Material	AgSnO <sub>2</sub>
接触电阻 Contact Resistance	50mΩ (1A 6VDC)
触点负载(阻性) Contact Load (resistive load)	1A: 30A 13.5VDC 1C: 20A 27VDC
最大切换电压 Max.Switching Voltage	27VDC
最大额定切换电流(阻性) Max.Rated Switching Current (Resistive Load)	30A
机械耐久性 min Mechanical Endurance min	1×10 <sup>7</sup> ops
电耐久性 min Electrical Endurance min	1×10 <sup>5</sup> ops

线圈参数 Coil Rating			20℃
额定线圈功率 Rated Coil Power		600mW	
额定电压 Rated Voltage	动作电压 Operate Voltage	释放电压 Release Voltage	线圈电阻 Coil Resistance
12VDC	7.2VDC	1.2VDC	96× (1±10%) Ω
24VDC	14.4VDC	2.4VDC	320× (1±10%) Ω

性能参数 Specifications	
绝缘电阻 Insulation Resistance	500MΩ(500VDC)
介质耐压 (触点与线圈间) Dielectric Strength (Between coils and contacts)	500VAC 1min
动作时间 (额定电压下) Operate Time (Below Rated Voltage)	≤10ms
释放时间 (额定电压下) Release Time (Below Rated Voltage)	≤10ms
振动 Vibration Resistance	10Hz~500Hz, Min.44.1m/s <sup>2</sup>
环境温度 Ambient Temperature	-40 ℃ to 85℃
重量 Weight	About 20g
引出端方式 Terminal Type	PCB QC

备注：以上值均为初始值。 Note: the above values are the initial value.

### 订货标记示例 Ordering Code

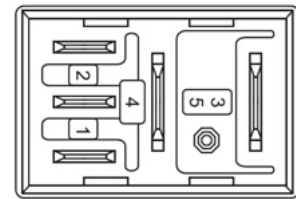
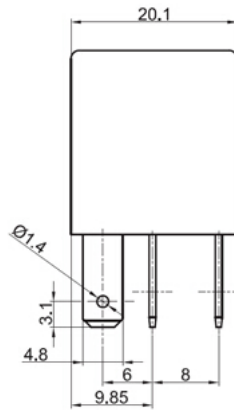
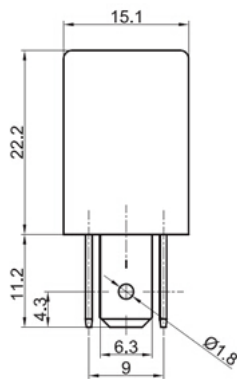


OUTLINE DIMENSIONS, WIRING DIAGRAM AND PC BOARD LAYOUT

Unit: mm

VKV7-1C

Outline Dimensions



Wiring Diagram

