


28.0×24.0×25.8(mm)
特征

使用各类型汽车配电路控制

防震性能优越

备有匹配插座

Features

Serve as control of kinds of circuits at auto

Excellent shake resistance performance

With couple socket

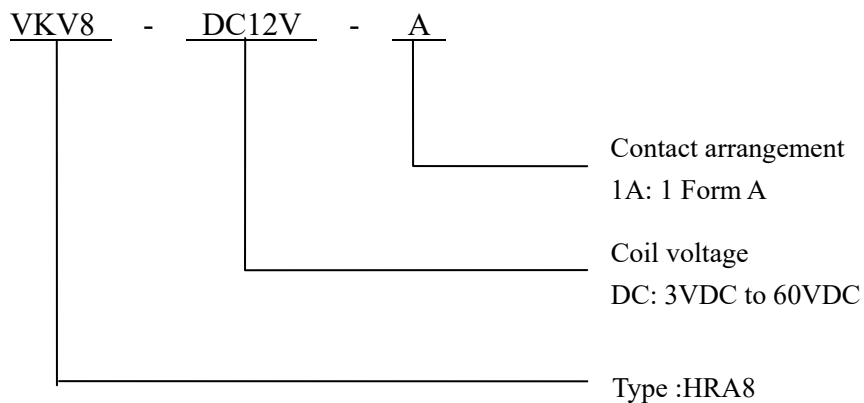
触点参数 Contact Ratings	
接触形式 Contact Form	1A 1C
触点材料 Contact Material	AgCdO
接触电阻 Contact Resistance	50mΩ (1A 6VDC)
触点负载(阻性) Contact Load (resistive load)	1A: 30A 250VAC/30VDC 1C: 20A 250VAC/30VDC
最大切换电压 Max.Switching Voltage	250VAC/30VDC
最大额定切换电流(阻性) Max.Rated Switching Current (Resistive Load)	30A(1A) 20A(1C)
机械耐久性 min Mechanical Endurance min	1×10 ⁷ ops
电耐久性 min Electrical Endurance min	1×10 ⁵ ops

线圈参数 Coil Rating			
额定线圈功率 Rated Coil Power		1600mW	
额定电压 Rated Voltage	动作电压 Operate Voltage	释放电压 Release Voltage	线圈电阻 Coil Resistance
5VDC	3.5VDC	0.5VDC	16× (1±10%) Ω
6VDC	4.2VDC	0.6VDC	20× (1±10%) Ω
12VDC	8.4VDC	1.2VDC	80× (1±10%) Ω
24VDC	16.8VDC	2.4VDC	320× (1±10%) Ω

性能参数 Specifications	
绝缘电阻 Insulation Resistance	100MΩ(500VDC)
介质耐压 (触点与线圈间) Dielectric Strength (Between coils and contacts)	500VAC 1min
动作时间 (额定电压下) Operate Time (Below Rated Voltage)	≤15ms
释放时间 (额定电压下) Release Time (Below Rated Voltage)	≤10ms
环境温度 Ambient Temperature	-40 °C to 70°C
引出端方式 Terminal Type	Socket

备注：以上值均为初始值。 Note: the above values are the initial value.

订货标记示例 Ordering Code



OUTLINE DIMENSIONS, WIRING DIAGRAM AND PC BOARD LAYOUT (mm)

