

HRT4100

TELECOM RELAYS



15.7×11.0×12.0(mm)

特性

5A 触点切换能力，一组转换触点形式

印制板式引出端

塑封与防焊剂型可供选择

Features

5A switching capability, 1 Form C configuration

Standard PCB layout

Wash tight and flux proofed types available

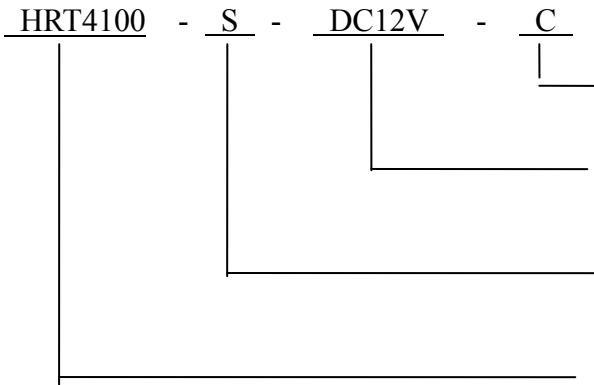
触点参数 Contact Ratings	
接触形式 Contact Form	1C
触点材料 Contact Material	AgNi
初始接触电阻 Initial contact resistance	100mΩ(1A 24VDC)
触点负载(阻性) Contact Load (resistive load)	1A 125VAC/30VDC 1A 240VAC/30VDC 2A 125VAC, 3A 120VAC 5A 120VAC
最大切换电压 Max.Switching Voltage	240VAC/30VDC
最大额定切换电流(阻性) Max.Rated Switching Current (Resistive Load)	5A
最大切换功率 Max.Switching Power	600VA/30W
机械耐久性 min Mechanical Endurance min	1×10 ⁷ ops
电耐久性 min Electrical Endurance min	1×10 ⁵ ops

线圈参数 Coil Rating				23℃		
额定线圈功率 Rated Coil Power		450mW	360mW	200mW		
额定电压 Rated Voltage	动作电压 Operate Voltage	释放电压 Release Voltage	最大电压 Max. Voltage	线圈电阻×(1±10%) Ω Coil Resistance×(1±10%) Ω		
				0.2	0.36	0.45
3VDC	2.3VDC	0.3VDC	3.9VDC	45	25	20
5VDC	3.8VDC	0.5VDC	6.5VDC	120	70	56
6VDC	4.5VDC	0.6VDC	7.8VDC	180	100	80
9VDC	6.8VDC	0.9VDC	11.7VDC	400	220	180
12VDC	9.0VDC	1.2VDC	15.6VDC	700	400	320
24VDC	18.0VDC	2.4VDC	31.2VDC	2800	1600	1280

性能参数 Specifications		
绝缘电阻 Insulation Resistance		100MΩ(500VDC)
介质耐压 Dielectric Strength	触点与线圈间 Between coils and contacts	1000VAC 1min
	断开触点间 Between open contacts	500VAC 1min
动作时间（额定电压下） Operate Time (Below Rated Voltage)		≤10ms
释放时间（额定电压下） Release Time (Below Rated Voltage)		≤5ms
冲击 Shock	稳定性 Stability	98m/s ²
	强度 Strength	980m/s ²
振动 Vibration		10Hz~55Hz 1.5mm double-amplitude
湿度 Humidity		35%~85%RH
环境温度 Ambient Temperature		-25℃ to 70℃
引出端方式 Terminal Type		PCB
重量 Weight		About 5g

备注：以上值均为初始值。 Note: the above values are the initial value.

订货标记示例 Ordering Code



Contact arrangement
1C: 1 Form C

Coil voltage
DC: 3VDC to 24VDC

Type of sealing
S: Plastic sealed Nil: Flux proofed

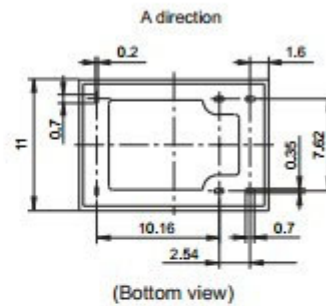
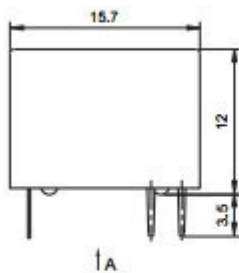
Type:HRT4100

OUTLINE DIMENSIONS, WIRING DIAGRAM AND PC BOARD LAYOUT

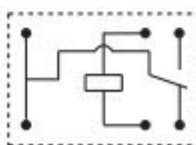
Unit: mm

HRT4100-1C

Outline Dimensions



Wiring Diagram
(Bottom view)



PCB Layout
(Bottom view)

