



Part No.

**HRA5**

Automotive Relay

**Features:**

- ⇒ Size :26.6×26.8× 22.7(mm)
- ⇒ 80A switching capability
- ⇒ 1 Form A
- ⇒ Wash tight and dust protect types available



**Ordering Information**

HRA5 - S - DC12V - A - L - R

①            ②            ③            ④            ⑤            ⑥

- ⑥ Parallel coil components  
R: With Resistor  
12V-680Ω,24V2700Ω  
D: With Diode  
Nil :Standard

- ① Part No.
- ② S :Plastic sealed Nil:Dust Cover
- ③ Coil Voltage :  
DC 6, 12, 24V
- ④ Contact form:  
A : 1 Form A
- ⑤ Version  
Nil : Without Bracket  
L : Plastic bracket  
T : Metal bracket  
P: PCB terminal

**Specification:**

Contact		Characteristics	
Contact Form	1 Form A	Insulation resistance	Min 100MΩ(500VDC)
Contact Material	Ag Alloy	Dielectric Strength	Between contact 550VAC 1min Between coil &contact 550VAC 1min
Contact Resistance	25 mΩ(24VDC 1A)	Operate time	≤ 10ms
Contact Rating(Resistance Load)		Release time	≤ 10ms
	NO: 80A /14VDC NC :40A /28VDC	Shock Endurance	100 m/s <sup>2</sup>
Inductive: make	150A/14VDC,break 50A/14VDC	Resistance Damage	1000 m/s <sup>2</sup>
Lamp:Surge	200A/14VDC ,40A/14VDC	Vibration Resistance	10-55 HZ 1.5mm DA
Max Switching Voltage	75VDC	Humidity	35%-95% RH
Max Switching Current	80A	Ambient Temperature	-40 °C to 125°C
Max Switching Power		Weight	Approx. 37.0g
Electrical Life	100,000 ops		
Mechanical Life	1,000,000 ops		

**Noted** :the data are initial value

Coil Data:

at 23°C

1.6 W/1.8 W(with resistor)

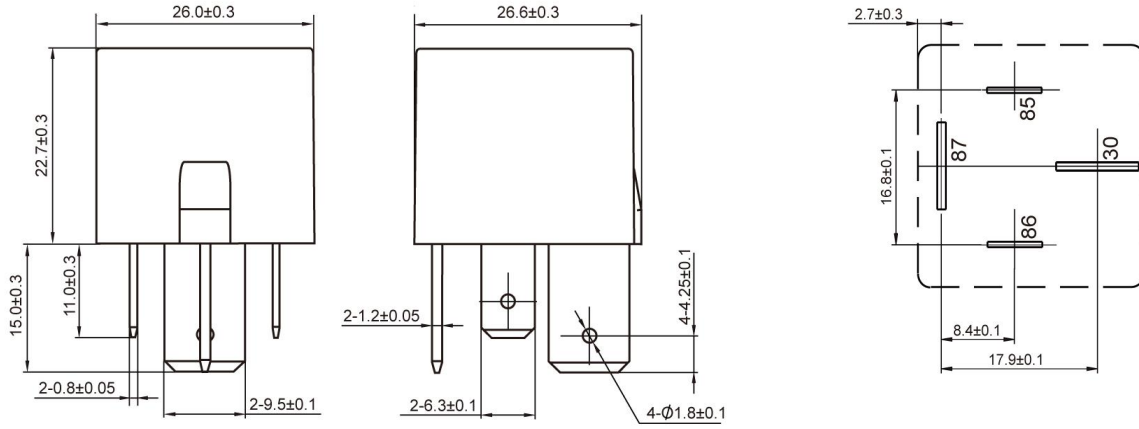
Nominal Voltage VDC	Operate Voltage Max VDC	Release Voltage Min VDC	Max Voltage VDC	Coil Resistance Ω +/- 10%
12	7.80	1.20	20.00	90
24	16.00	2.40	40.00	320

12(R)	7.80	1.20	20.00	90
24(R)	16.00	2.40	40.00	320

**Dimension(mm)**

Tolerance  $\pm 0.2$

**QC terminal**



**PCB terminal**

