



Part No.
HRG115

Industrial Relay

ISO9001 ISO14001

Features:

- ↗ Size :29×12.6×15.8(mm)
- ↗ Max.12A switching capability
- ↗ Sensitivity 400mW
- ↗ Lower height 15.8mm



Ordering Information

HRG115 - S - DC12V - C - X
 ① ② ③ ④ ⑤

- ① Part No.
- ② Enclosure :Plastic sealed
- ③ Coil Voltage :
DC 5 ,6, 9,12, 24V,48V
- ④ Contact form:
A: 1N/O C: 1 C/O
- ⑤ Special requirement

Specification:

Contact		Characteristics	
Contact Form	1 Form C , 1 Form A	Insulation resistance	Min 1000MΩ(500VDC)
Contact Material	Ag Alloy	Dielectric Strength	Between contact 1000VAC 1min Between coil &contact 5000VAC 1min
Contact Resistance	100 mΩ(6VDC 1A)	Operate time	≤ 10ms
Contact Rating(Resistance Load)	10A 250VAC/30VDC	Release time	≤ 5ms
		Shock Endurance	100 m/s ²
		Resistance Damage	1000 m/s ²
Max Switching Voltage	440VAC/120VDC	Vibration Resistance	10-55 HZ 1.5mm DA
Max Switching Current	12 A	Humidity	35%-95% RH
Max Switching Power	3000VA 360W	Ambient Temperature	-40 °C to 85°C
Electrical Life	100,000 ops	Weight	Approx. 13.0g
Mechanical Life	1,000,000 ops		

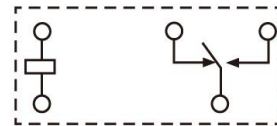
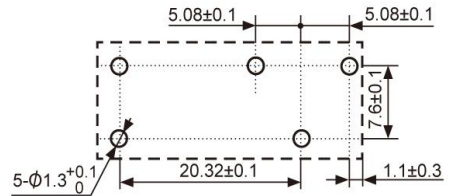
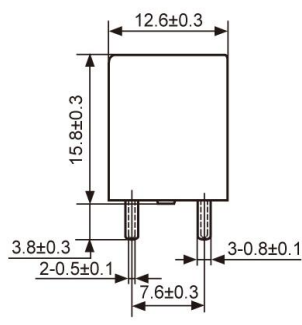
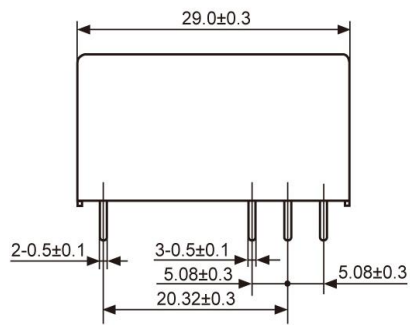
Noted :the data are initial value

Coil Data: at 23°C
(400mW)

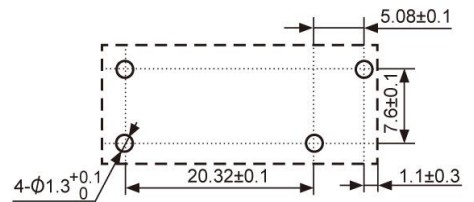
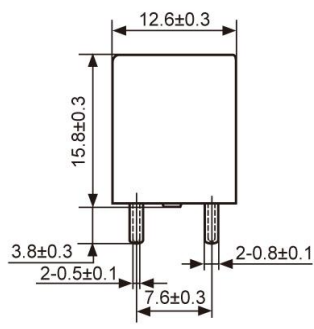
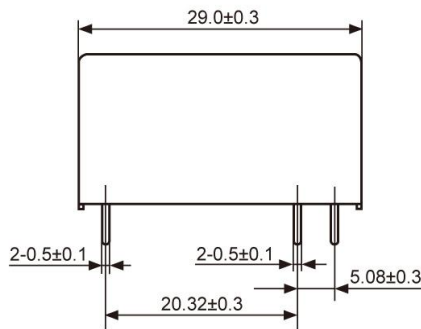
Nominal Voltage VDC	Operate Voltage Max VDC	Release Voltage Min VDC	Max Voltage VDC	Coil Resistance Ω +/- 10%
5	3.50	0.50	7.50	62
6	4.20	0.60	9.00	90
9	6.30	0.90	13.50	202
12	8.40	1.20	18.00	360
24	16.80	2.40	36.00	1440
48	33.60	4.80	72.00	5760

Dimension(mm)

Tolerance ± 0.2



1C



1A