



Part No.

HRG115D

Industrial Relay

ISO9001 ISO14001

**Features:**

- ↳ Size :29×12.6×15.8(mm)
- ↳ Max.8A switching capability
- ↳ 2 Form C
- ↳ Lower height 15.8mm



**Ordering Information**

HRG115D - S - DC12V - 2C - X  
 ①                      ②                      ③                      ④                      ⑤

- ① Part No.
- ② Enclosure :Plastic sealed
- ③ Coil Voltage :  
DC 5 ,6, 9,12, 24V,48V
- ④ Contact form:  
2A: 2N/O 2C: 2C/O
- ⑤ Special requirement

**Specification:**

Contact		Characteristics	
Contact Form	2 Form C ,2 Form A	Insulation resistance	Min 1000MΩ(500VDC)
Contact Material	Ag Alloy	Dielectric Strength	Between contact 1000VAC 1min Between coil &contact 5000VAC 1min
Contact Resistance	100 mΩ(6VDC 1A)	Operate time	≤ 10ms
Contact Rating(Resistance Load)	8A 250VAC/30VDC	Release time	≤ 5ms
		Shock Endurance	100 m/s <sup>2</sup>
		Resistance Damage	1000 m/s <sup>2</sup>
Max Switching Voltage	440VAC/300VDC	Vibration Resistance	10-55 HZ 1.5mm DA
Max Switching Current	8 A	Humidity	35%-95% RH
Max Switching Power	2000VA 240W	Ambient Temperature	-40 °C to 85°C
Electrical Life	100,000 ops	Weight	Approx. 13.0g
Mechanical Life	1,000,000 ops		

**Noted** :the data are initial value

Coil Data:

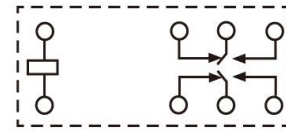
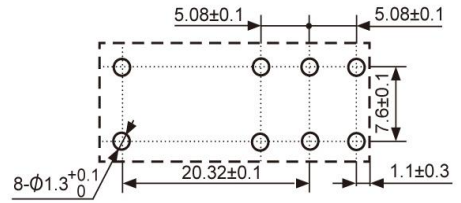
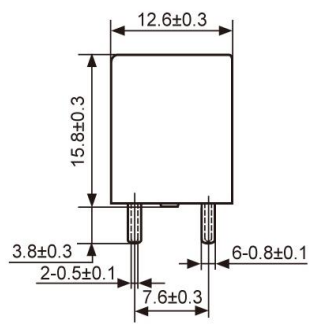
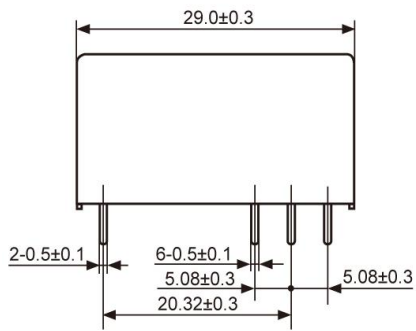
at 23°C

(400mW)

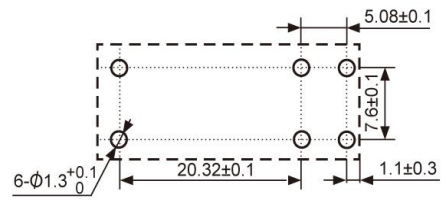
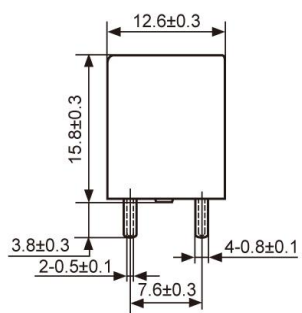
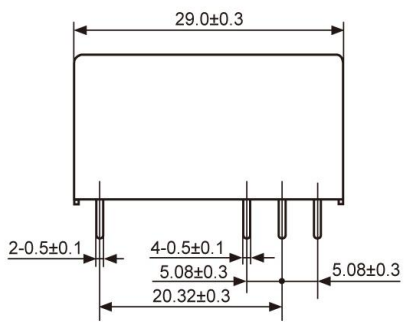
Nominal Voltage VDC	Operate Voltage Max VDC	Release Voltage Min VDC	Max Voltage VDC	Coil Resistance Ω +/- 10%
5	3.50	0.50	7.50	62
6	4.20	0.60	9.00	90
9	6.30	0.90	13.50	202
12	8.40	1.20	18.00	360
24	16.80	2.40	36.00	1440
48	33.60	4.80	72.00	5760

Dimension(mm)

Tolerance  $\pm 0.2$



2C



2A