



Part No.

HRG14H

Industrial Relay

ISO9001 ISO14001

Features:

- ⇒ Size :29×12.6×20.8(mm)
- ⇒ Max.16A switching capability
- ⇒ Creepage distance :8 mm
- ⇒ Dielectric strength 5000V (coil & contact)



Ordering Information

HRG14H - S - DC12V - C - X
 ① ② ③ ④ ⑤

- ① Part No.
- ② Enclosure :Plastic sealed
- ③ Coil Voltage :
DC 5 ,6, 9,12, 24V,48V
- ④ Contact form:
A: 1N/O C: 1C/O
- ⑤ Special requirement

Specification:

Contact		Characteristics	
Contact Form	1 Form C ,1 Form A	Insulation resistance	Min 1000MΩ(500VDC)
Contact Material	Ag Alloy	Dielectric Strength	Between contact 1000VAC 1min Between coil &contact 5000VAC 1min
Contact Resistance	100 mΩ(6VDC 1A)	Operate time	≤ 15ms
Contact Rating(Resistance Load)	Resistive : 16A 250VAC/30VDC	Release time	≤ 8ms
Max Switching Voltage	277VAC/30VDC	Shock Endurance	100 m/s ²
Max Switching Current	16 A	Resistance Damage	1000 m/s ²
Max Switching Power	4000VA 480W	Vibration Resistance	10-55 HZ 1.5mm DA
Electrical Life	100,000 ops	Humidity	35%-95% RH
Mechanical Life	1,000,000 ops	Ambient Temperature	-35 °C to 70°C
		Weight	Approx. 13.0g

Noted :the data are initial value

Coil Data:

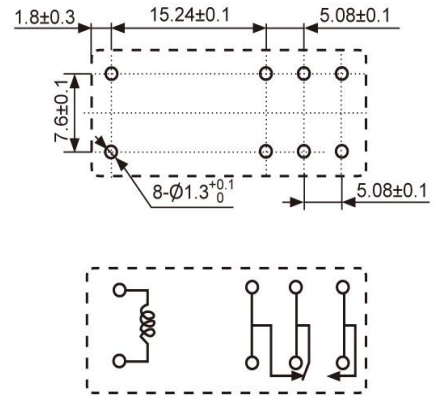
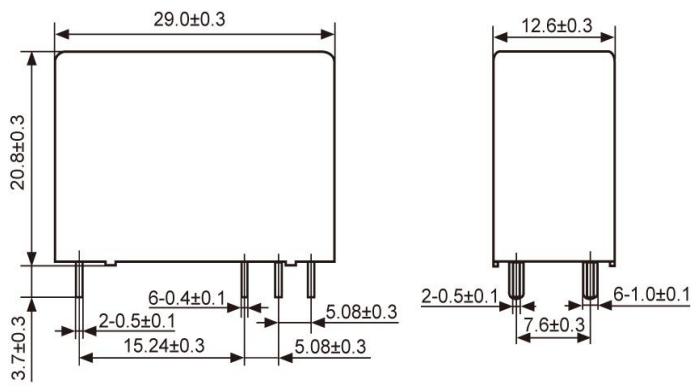
at 23°C

(540mW)

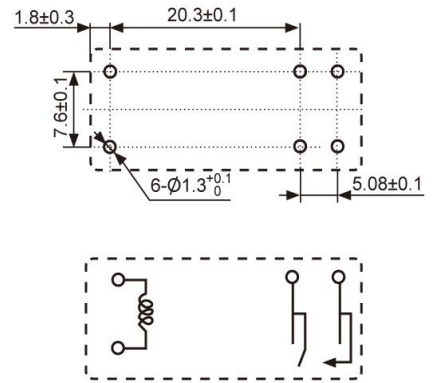
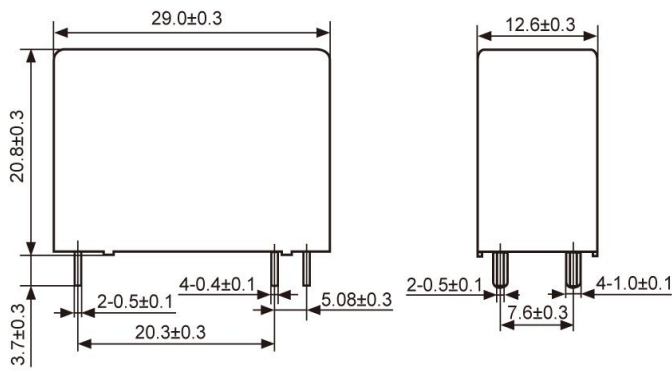
Nominal Voltage VDC	Operate Voltage Max VDC	Release Voltage Min VDC	Max Voltage VDC	Coil Resistance Ω +/- 10%
5	3.75	0.50	7.00	47
6	4.50	0.60	8.50	68
9	6.75	0.90	12.50	160
12	9.00	1.20	16.80	275
24	18.00	2.40	33.50	1100
48	36.00	4.80	67.20	4170

Dimension(mm)

Tolerance ± 0.2



1C



1A