



Part No.

HRG32

Industrial Relay

ISO9001 ISO14001

Features:

- ⇒ Size :18.6×10.4×15.8(mm)
- ⇒ Max.10A switching capability
- ⇒ High sensitive : 200mW
- ⇒ 1 Form C ,1 Form A



Odering Information

HRG32 - S - DC12V - A - X
 ① ② ③ ④ ⑤

- ① Part No.
- ② Enclosure :Plastic sealed
- ③ Coil Voltage :
DC3, 5 ,6 ,9,12, 24V
- ④ Contact form:
C : 1C/O A: 1N/O
- ⑤ Special requirment
H: High Capacity Nil: Standard
L:0.2W

Specification:

Contact		Characteristics	
Contact Form	1C,1A	Insulation resistance	Min 1000MΩ(500VDC)
Contact Material	Ag Alloy	Dielectric Strength	Between contact 1000VAC 1min Between coil &contact A/C:3500/2500(VAC)1min
Contact Resistance	100 mΩ(6VDC 0.1A)	Operate time	≤10 ms
Contact Rating(Resistance Load)		Release time	≤ 5 ms
A: 10A 250VAC/30VDC (H)	0.45W	Shock Endurance	100 m/s ²
10A 125VAC, 5A 250VAC/30VDC	0.45W	Resistanc Damage	1000 m/s ²
3A 250VAC/30VDC (AL)	0.2W	Vibration Resistance	10-55 HZ 1.5mm DA
C: 3A 250VAC/30VDC	0.45W	Humidity	35%-95% RH
Max Switching Voltage	250VAC/30VDC	Ambient Temperature	-40 °C to 85°C
Max Switching Current	10A	Weight	Approx. 6.0g
Max Switching Power	1250VA 280W	Noted :the data are initial value	
Max Switching Power (H)	2500VA 300W		
Electrical Life	100,000 ops		
Mechanical Life	5,000,000 ops		

Coil Data:

at 23°C

L:High Sensitivity (200mW) 1 Form A only

Nominal Voltage VDC	Operate Voltage VDC	Max	Release Voltage Min VDC	Max Voltage	Coil Resistance Ω +/- 10%
3	2.25		0.15	4.50	45
5	3.75		0.25	7.50	125
6	4.50		0.30	9.00	180
9	6.75		0.45	13.50	400

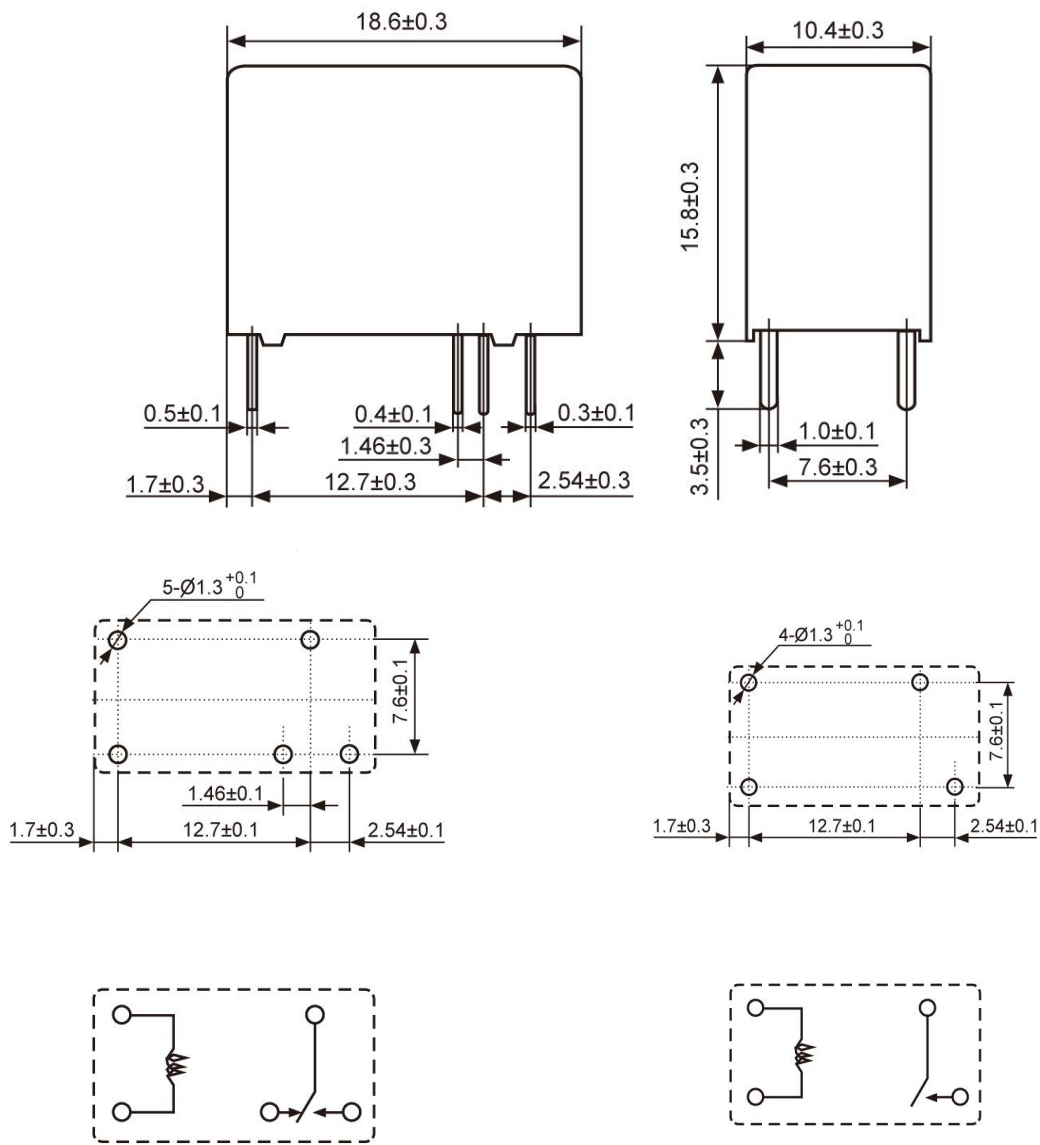
12	9.00	0.60	18.00	720
24	18.00	1.20	36.00	2800

Standard (450mW)

Nominal Voltage VDC	Operate Voltage VDC	Max	Release Voltage Min VDC	Max Voltage	Coil Resistance Ω +/- 10%
3	2.25		0.15	3.90	20
5	3.75		0.25	6.50	55
6	4.50		0.30	7.80	80
9	6.75		0.45	11.70	180
12	9.00		0.60	15.60	320
24	18.00		1.20	31.20	1280

Dimension(mm)

Tolerance ± 0.2



1C

1A

